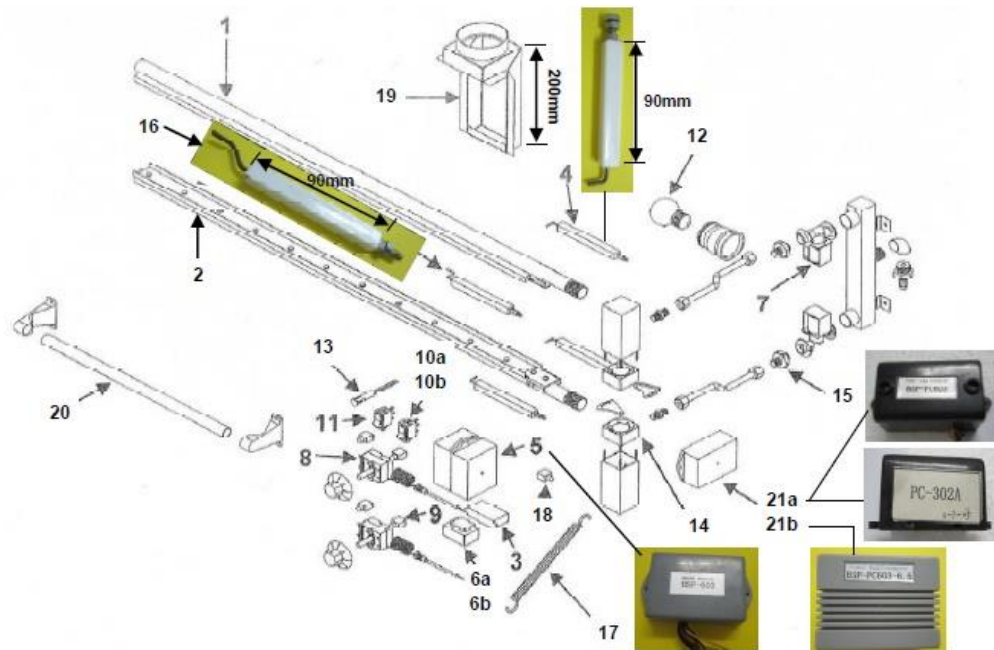


EXPLOSIVE DRAWING



COMPONENTS LIST

No	Description (Butir-Butir)	Code (Kod)
1	Burner Upper Flame (Penunu Nyalaan Atas)	IC-FR11-BR-U
2	Burner Bottom Flame (Penunu Nyalaan Bawah)	IC-FR11-BR-B
3	High Voltage Coil (Lingkar Bervoltan Tinggi)	IC-FR11-HVC
4	Ignition Head (Pengeluar Bungapi) - Length = 90mm, Probe = L Shape	IC-FR11-IH
5	Microcomputer Controller BSP 603 (Pengawal Komputermilro BSP 603) - 10 Wire	IC-FR11-MC
6a	Transformer 9v (Transformer 9v)	IC-FR11-T9V
6b	Transformer 11v (Transformer 11v)	IC-FR11-T11V
7	Electromagnetic Valve (Injap Elektromagnetik)	IC-FR11-EMV
8	Thermostat (Termostat)	IC-FR11-TM
9	Operation Lamp (Lampu Operasi)	IC-FR11-OPE-L
10a	Light Switch (Suis Lampu) - On/Off - 25mm X 31mm - Orange	IC-FR-S
10b	Timer Switch (Suis Kuasa Elektrik) - On/Off - 25mm X 31mm - Orange	
11	Power Switch (Suis Kuasa Elektrik) - On/Off - 25mm X 31mm - Orange	
12	Illumination Light (Lampu Kecerahan)	IC-FR-IL
13	Power Lamp (Lampu Kuasa)	IC-FR11-PL
14	Blower (Kipas Peniup)	IC-G30N-BW
15	Gas Nozzle (Mucung Gas)	IC-FR11-NZ
16	Heat Probe (Sensor Penguji Keparasan) - Length = 90mm, Probe = Z Shape	IC-FR11-HP
17	Spring (Spring)	IC-FR11SPRING
18	Fuse (Fius)	IC-FR11-FUSE
19	Exhaust (Air Vent) - 200mm (Bukaan Buang Udara - 200mm)	IC-FR-EX200
20	Handle (Pemegang)	IC-FR11HANDLE
21a	PC Box 302A / PC Box 603 (Kotak Sumber Elektrik 302A / Kotak Sumber Elektrik 603)	IC-FR11PC302A
21b	PC Box 6.5 (Kotak Sumber Elektrik 6.5) - 6 Wire	IC-FR11PC6.5