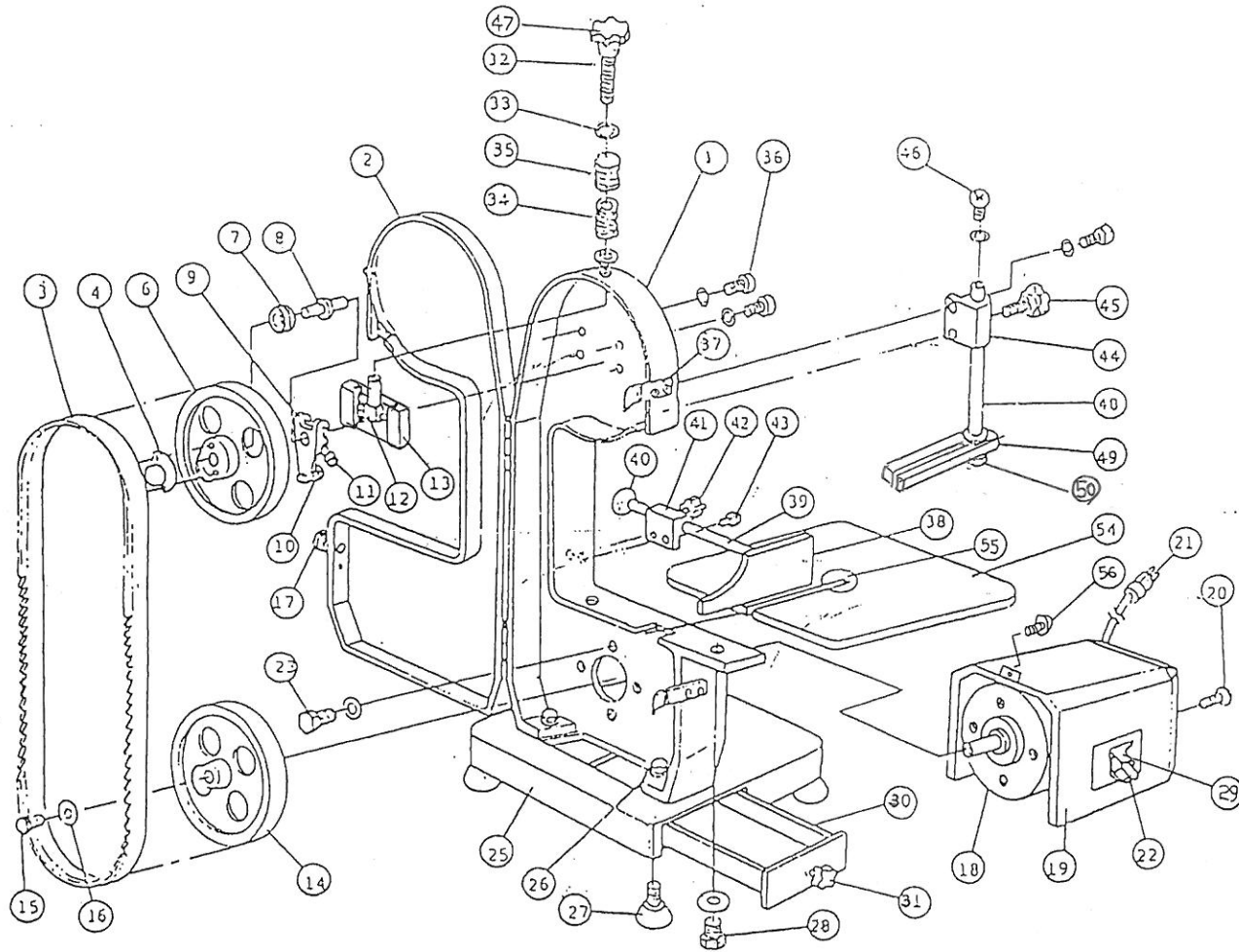


BAND SAW MACHINE HBS-250B PART LIST

HANKOOK FUJEE MACHINERY CO., LTD.



MODEL HBS-250B

PART NO	DESCRIPTIONS	MET 'L	QT 'Y	DIMENSIONS	NOTE
1	Body	AC2B	1		
2	Door	AC2B	1		
3	Saw Blade		1	1650mm	
4	Bearing Cover	SUS304	1		
5					
6	Wheel (Upper)	AC2B	1	213Ø	
7	Ball Bearing		2	#6203DD	
8	Shaft	S45C	1		
9	Wheel Bracket	Zn	1		
10	Wheel-Adjusting Bolt	SS	1	M8 × 30	
11	Shaft-tightening Bolt	SS	1	M6 × 20	
12	Tension-Adjusting Slider	SS41	1		
13	Rail	AC7A	1		
14	Wheel (Lower)	AC2B	1	213Ø	
15	Wheel-fixing Bolt	SUS304	1	M10 × 20	
17	Lock Handle	PLA	3	M8 × 15	
18	Motor		1	1Ø 1HP	
19	Motor Cover	SS41	1		
20	Motor Cover-fixing Bolt	SUS304	1	M5 × 30	
21	Plug		1		
22	Power Switch		1		
23	Motor-fixing Bolt	SS	4	M10 × 35	
24					
25	Bed		1		
26	Body-fixing Bolt	SS	2	M10 × 30	
27	Leg	Rubber	4		
28	Working Stand-fixing Bolt	SS	2	M10 × 25	

PART NO	DESCRIPTIONS	MET 'L	QT 'Y	DIMENSIONS	NOTE
30	Drawer		1		
31	Drawer Handle	PLA	1	M8 × 15	
32	Tension-Adjusting Bolt	SS41	1		
33	Washer	SS41	2		
34	Compression Coil Spring		1		
35	Spring Cover	Rubber	1		
36	Rail-fixing Bolt	SUS	4	M6 × 20	
37	Lock	SUS304	2		
38	Space-Adjusting Board	AC7A	1		
39	Board-guiding Shaft	SS41	1		
40	Ball	PLA	1	3/8"	
41	Board Bracket	AC7A	1		
42	Fixing Handle	PLA	1	M8 × 15	
43	Bracket-fixing Bolt	SUS304	4	M6 × 20	
44	Slider Bracket	AC7A	1		
45	Driving Handle	PLA	1	M8 × 15	
46	Round Bolt	SUS304	1	M5 × 8	
47	Tension Adjusting Handle	PLA	1		
48	Slider	SS41	1		
49	Saw Guide	BS	1		
50	Nut		1	M10	
			1		
54	Working Table	SUS304	1		
55	Saw-fixing Plate	BS	1		
56	Round Bolt	SUS304	1	M5 × 10	